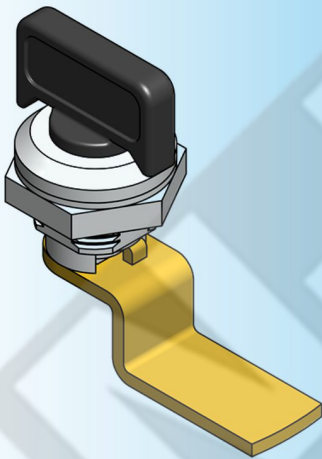


For Product Step File or 3D Model Send a Request Mail To info@nrack.com

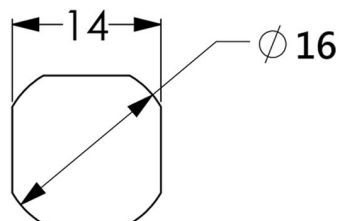
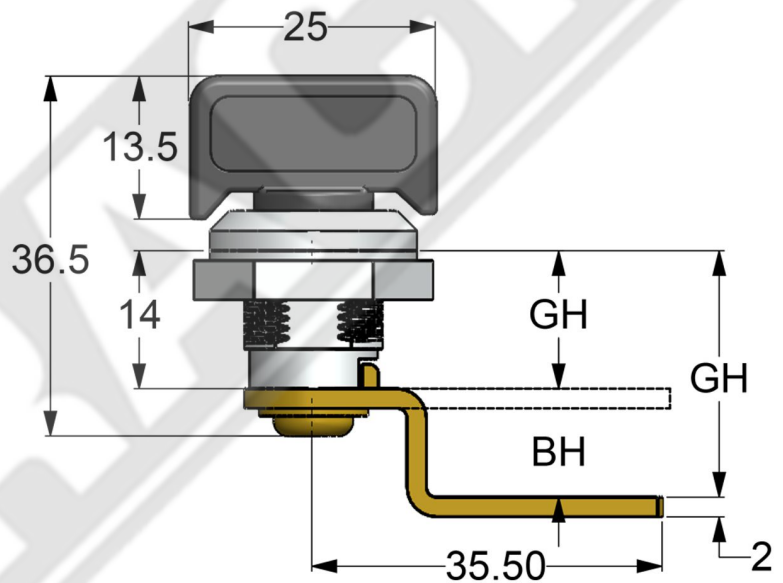
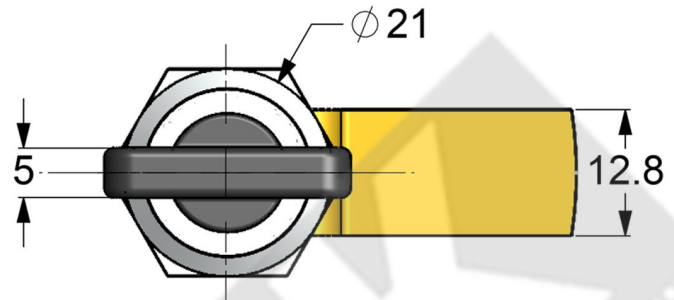
Photo View



3D Rendered View



**PL - 01AB**



**CUT OUT**

GRIPPING HEIGHT (GH)	BENDING HEIGHT (BH)
14	00
25	11

- Material: Zinc Die Casting Body/Polymaide Handle.
- Finish: Black Powder Coated